



**PRODUCT INFORMATION** Ne-CPUGitter\_TY\_EN - 18.10.2022 - www.vs-furniture.com

## NetWork CPU accessories and stand-at desk.

CPU-holder for attachment of the CPU to the table side.

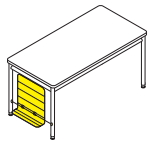
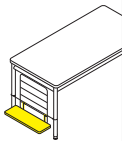
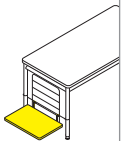
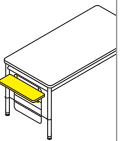
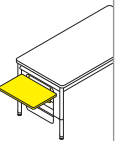
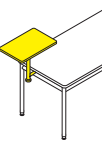
L-shaped grid of powder-coated steel rod. The holder is inserted into the functional gap between table top and frame. Further shelves can be hung onto it. The CPU is secured with a strap and quick-release fastener.

Hanging shelves are of melamine-resin laminated chipboard with glued-on plastic edges and rounded corners. Fitted with a bracket of powder-coated steel rod for hanging onto the CPU-holder and CPU-grid, for the upper and lower positions.

Stand-at desk for insertion into the functional gap between table top and frame. With a swivelable post of powder-coated steel tube as well as a working surface of melamine-resin laminated chipboard.

The following material groups are available: Frame made of steel tube: M(arctic); Top made of chipboard: L(black).

Further products on this page: LightUp.

							
<b>NetWork</b>		<b>21396</b>	<b>20322</b>	<b>20323</b>	<b>20324</b>	<b>20325</b>	<b>21493</b>
	w-d		60-20	60-40	60-20	60-40	60-40
		for table height min. 64 cm (glide elements), min. 70 cm (castors)					
		CPU holder with retaining strap	Hang-in shelf lower		Hang-in shelf upper		
	sq. m						0,24
	h (by table height 72 cm)						108